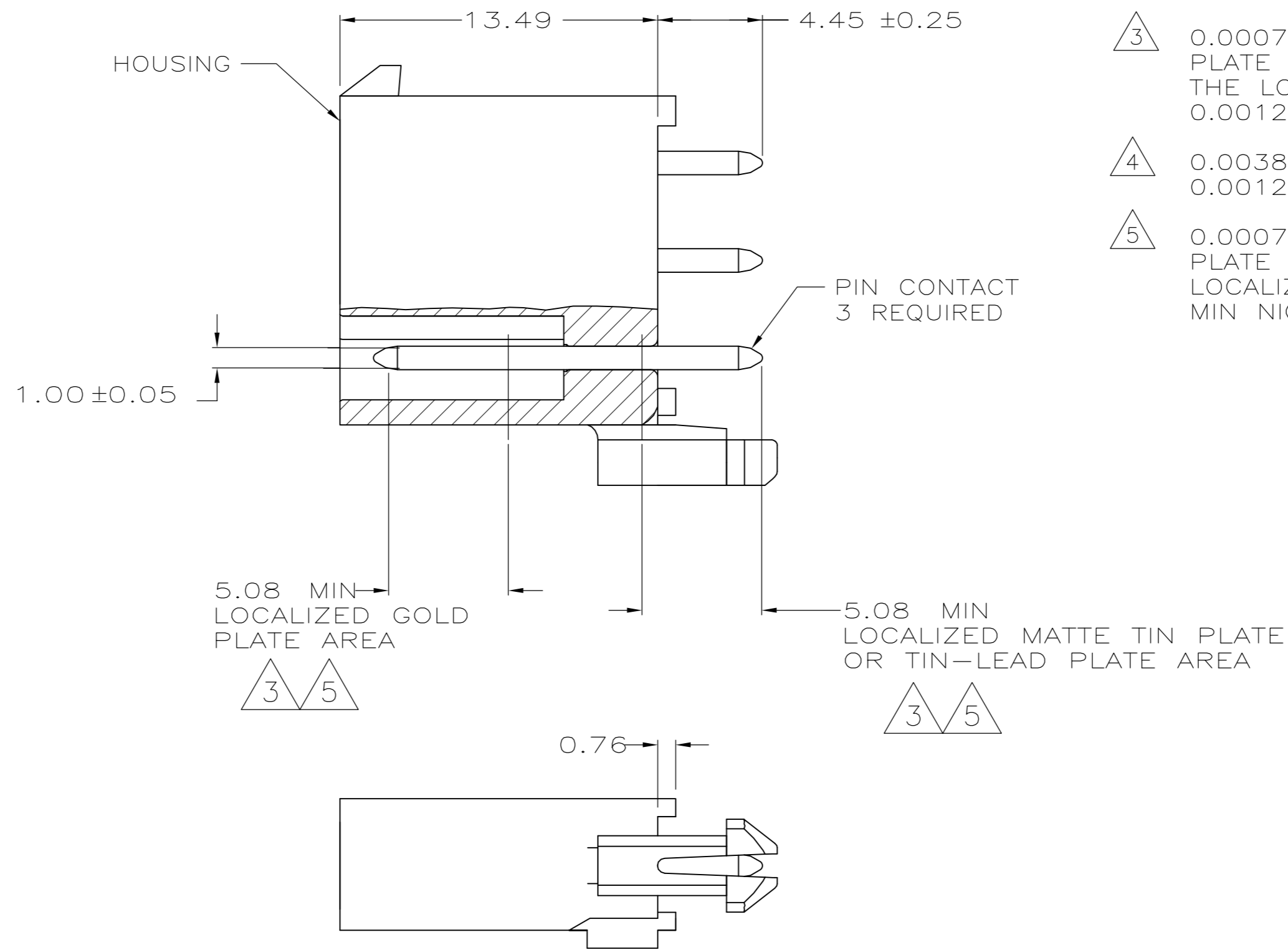
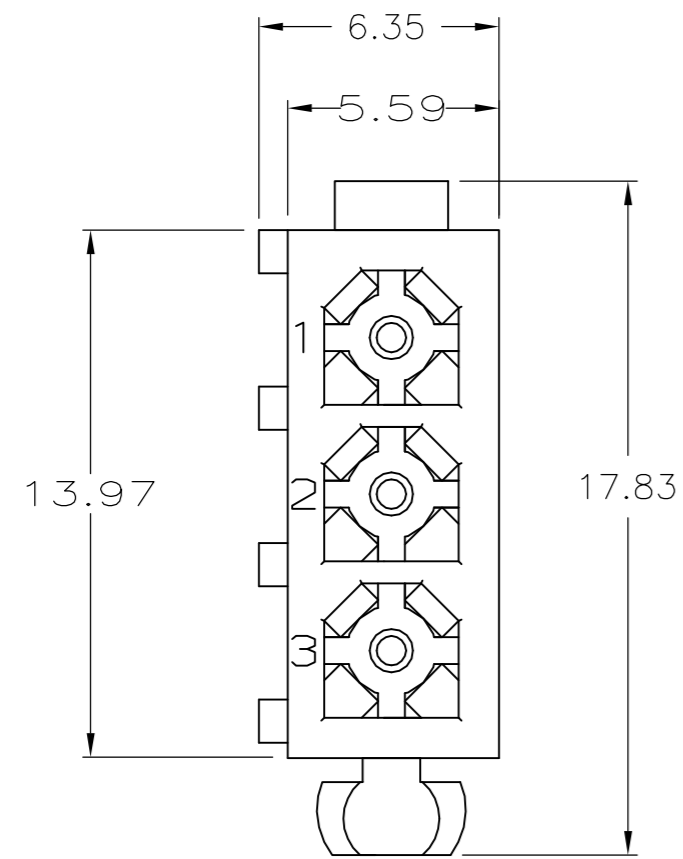
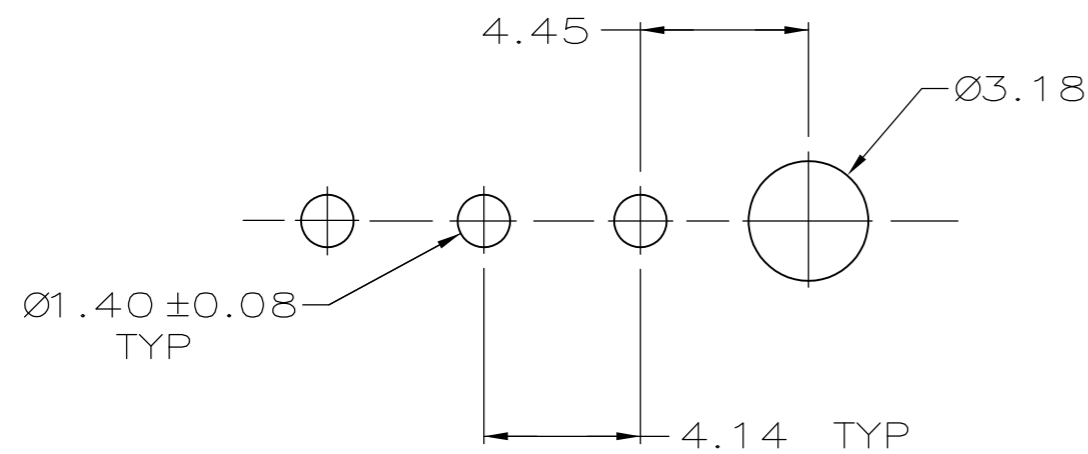


THIS DRAWING IS UNPUBLISHED. RELEASED FOR PUBLICATION  
 © COPYRIGHT - By - ALL RIGHTS RESERVED.

LOC		DIST		REVISIONS			
P	LTR	DESCRIPTION		DATE	DWN	APVD	
CM	0	M		REVISED PER ECR-15-010337	22JUL2015	RK	SC



- 1 PINS TO COMPLY WITH AMP SOLDERABILITY SPEC. 109-11-3.
- 2 0.00381 MIN MATTE TIN LEAD PLATE OVER 0.00127 MIN NICKEL.
- 3 0.00076 MIN GOLD PLATE IN THE LOCALIZED PLATE AREA, 0.00381 MATTE TIN LEAD IN THE LOCALIZED PLATE AREA, BOTH OVER 0.00127 MIN NICKEL.
- 4 0.00381 MIN MATTE TIN PLATE OVER 0.00127 MIN NICKEL.
- 5 0.00076 MIN GOLD PLATE IN THE LOCALIZED PLATE AREA, 0.00381 MATTE TIN IN THE LOCALIZED PLATE AREA, BOTH OVER 0.00127 MIN NICKEL.



RECOMMENDED LAYOUT FOR 1.57 THICK BOARD  
 TOLERANCES NON-ACCUMULATIVE

BRASS, TIN	4	NYLON, UL94V-0	BLACK	5-770170-0
BRASS, GOLD	5	NYLON, UL94V-0	WHITE	1-770170-1
BRASS, TIN	4	NYLON, UL94V-0	WHITE	1-770170-0
BRASS, GOLD	3	NYLON, UL94V-0	WHITE	770170-2
BRASS, TIN-LEAD	2	NYLON, UL94V-0	WHITE	770170-1
MATERIAL	FINISH	MATERIAL	COLOR	PART NO.
PIN		HOUSING		

THIS DRAWING IS A CONTROLLED DOCUMENT.		DWN	08JUN05	TE Connectivity			
DIMENSIONS: mm		CHK	28JUL2003				
TOLERANCES UNLESS OTHERWISE SPECIFIED:		APVD	28JUL2003				
0 PLC ± - 1 PLC ± - 2 PLC ± 0.13 3 PLC ± - 4 PLC ± - ANGLES ± -		NAME					
MATERIAL		WEIGHT		SIZE	CAGE CODE	DRAWING NO	RESTRICTED TO
FINISH		CUSTOMER DRAWING		A2	00779	C=770170	-
				SCALE	SHEET	REV	
				1:1	1 of 1	M	